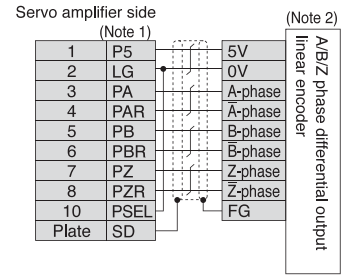
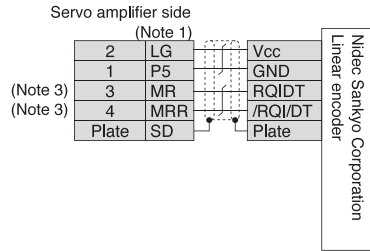
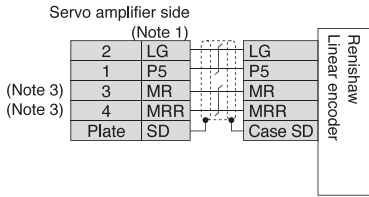
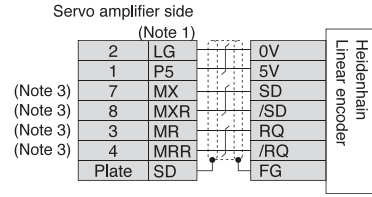
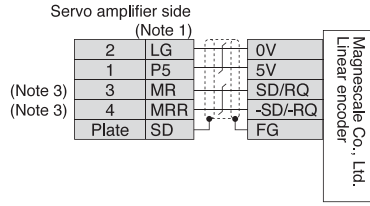
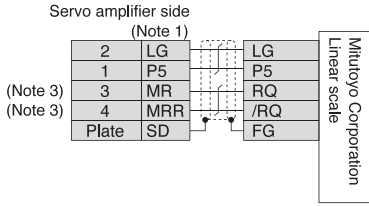


Servo Amplifiers

Linear Encoder Connection Example (for MR-J4-GF-RJ/MR-J4-B-RJ/MR-J4-A-RJ) **GF-RJ** **B-RJ** **A-RJ**



- Notes: 1. For the number of the wire pairs for LG and P5, refer to "Linear Encoder Instruction Manual."
 2. If the encoder's current consumption exceeds 350 mA, supply power from an external source.
 3. For CN2L connector, the signals of 3-pin, 4-pin, 7-pin, and 8-pin are as follows:
 3-pin: MRR2
 4-pin: MRR2
 7-pin: MX2
 8-pin: MXR2

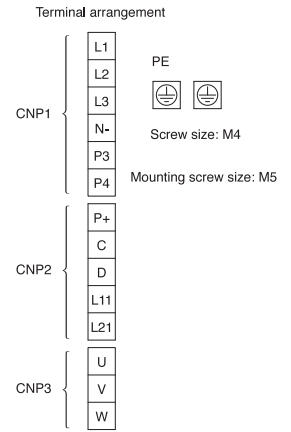
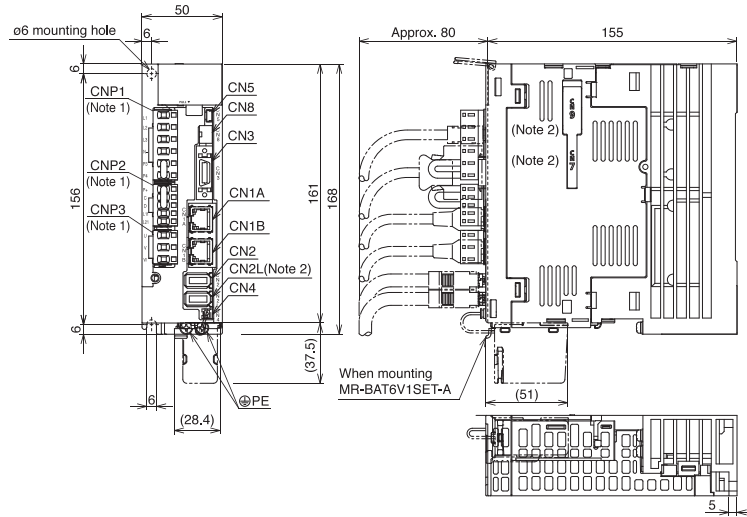


Be sure to read through Instruction Manual for the actual wiring and use. Use the equipment after you have a full knowledge of the equipment, safety information and instructions.

GF GF-RJ

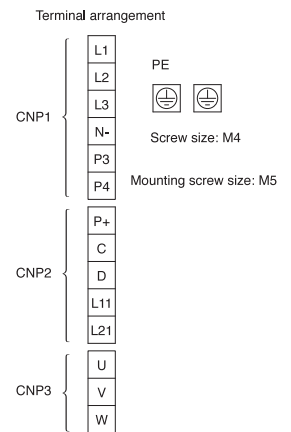
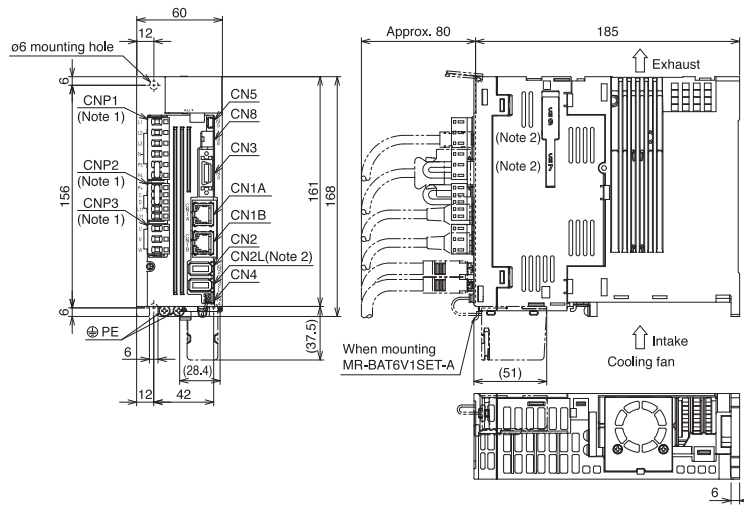
MR-J4-GF/MR-J4-GF-RJ Dimensions

- MR-J4-10GF, MR-J4-10GF-RJ
- MR-J4-20GF, MR-J4-20GF-RJ
- MR-J4-40GF, MR-J4-40GF-RJ
- MR-J4-60GF, MR-J4-60GF-RJ



[Unit: mm]

- MR-J4-70GF, MR-J4-70GF-RJ
- MR-J4-100GF, MR-J4-100GF-RJ



[Unit: mm]

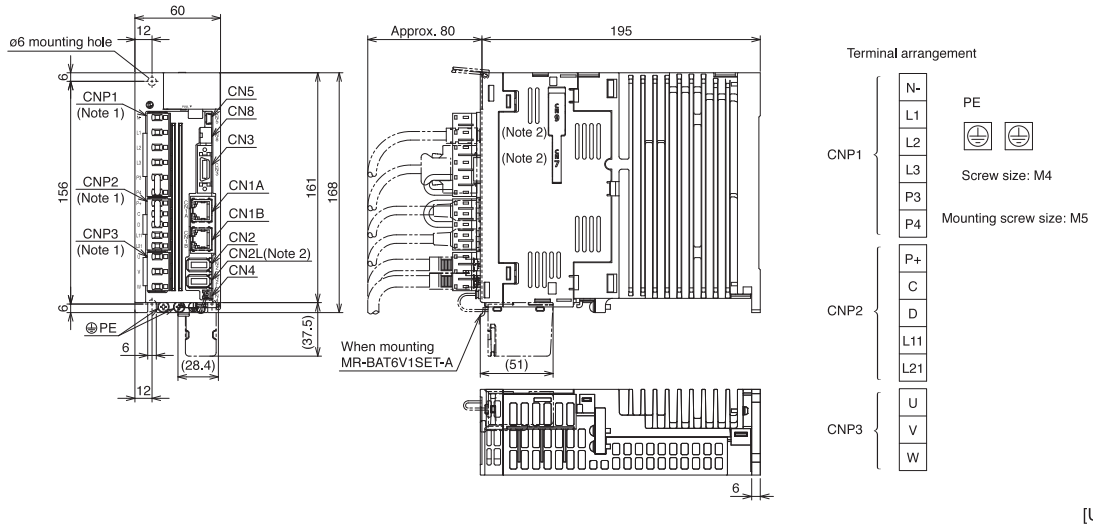
Notes: 1. CNP1, CNP2 and CNP3 connectors (insertion type) are supplied with the servo amplifier.
2. CN2L, CN7, and CN9 connectors are not available for MR-J4-GF servo amplifier.

Servo Amplifiers

MR-J4-GF/MR-J4-GF-RJ Dimensions

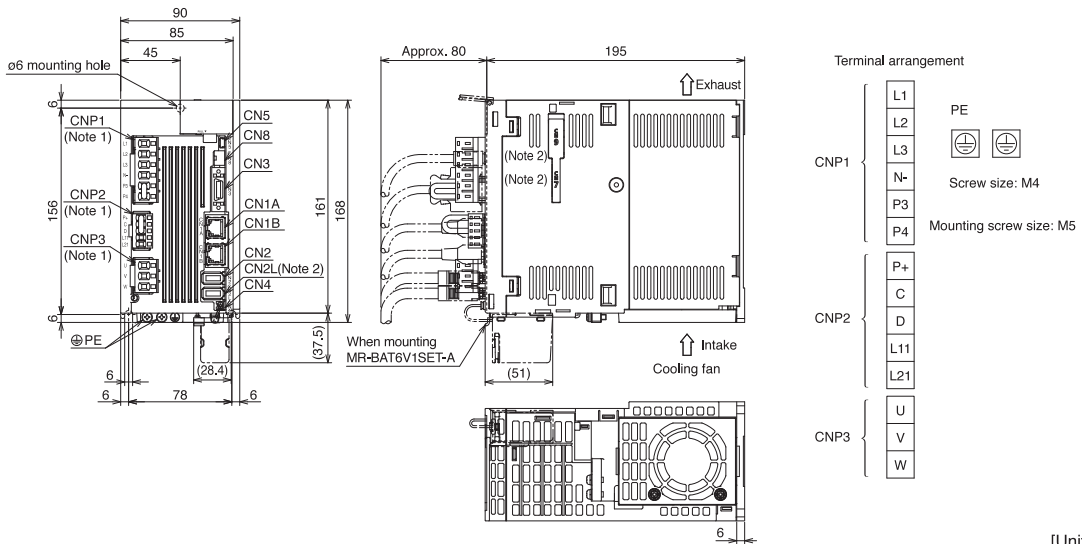
GF GF-RJ

- MR-J4-60GF4, MR-J4-60GF4-RJ
- MR-J4-100GF4, MR-J4-100GF4-RJ



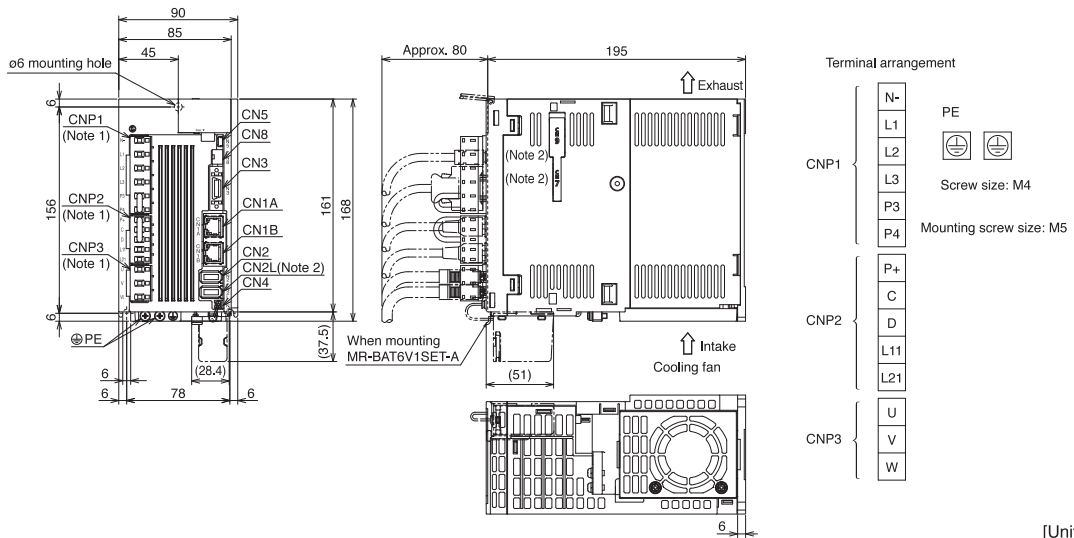
[Unit: mm]

- MR-J4-200GF, MR-J4-200GF-RJ



[Unit: mm]

- MR-J4-200GF4, MR-J4-200GF4-RJ

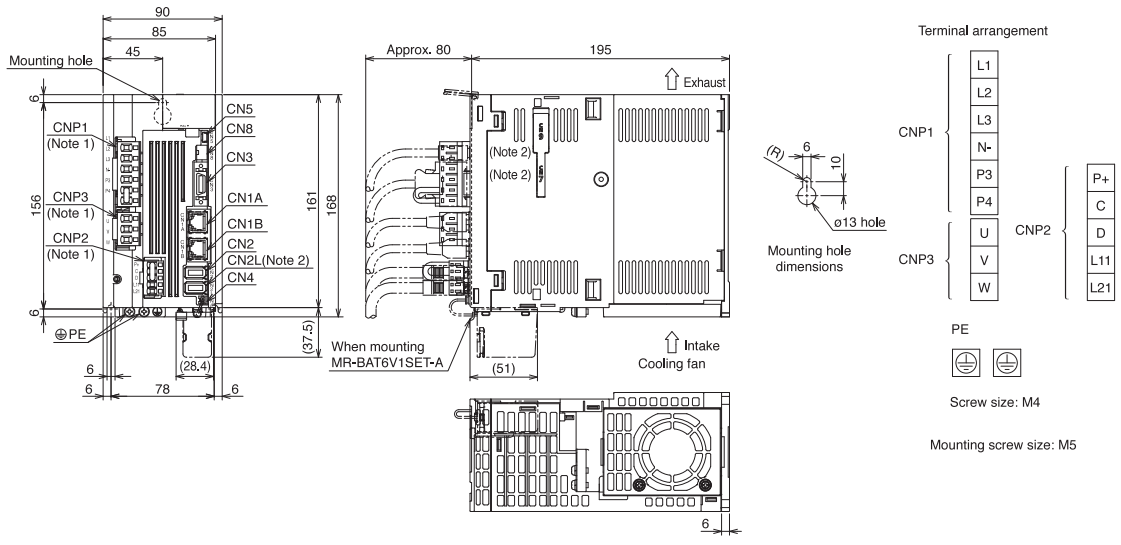


[Unit: mm]

Notes: 1. CNP1, CNP2 and CNP3 connectors (insertion type) are supplied with the servo amplifier.
2. CN2L, CN7, and CN9 connectors are not available for MR-J4-GF servo amplifier.

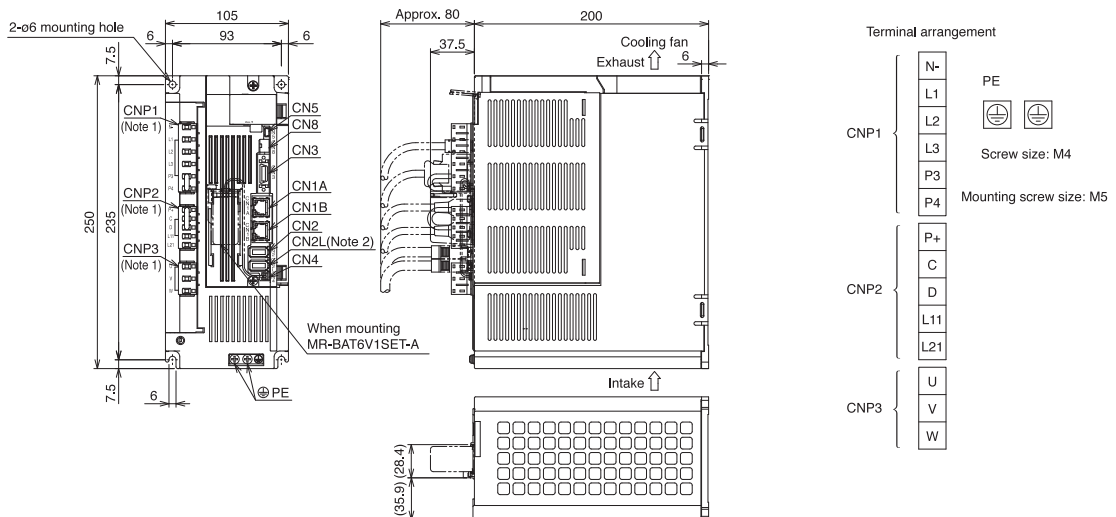
MR-J4-GF/MR-J4-GF-RJ Dimensions

●MR-J4-350GF, MR-J4-350GF-RJ



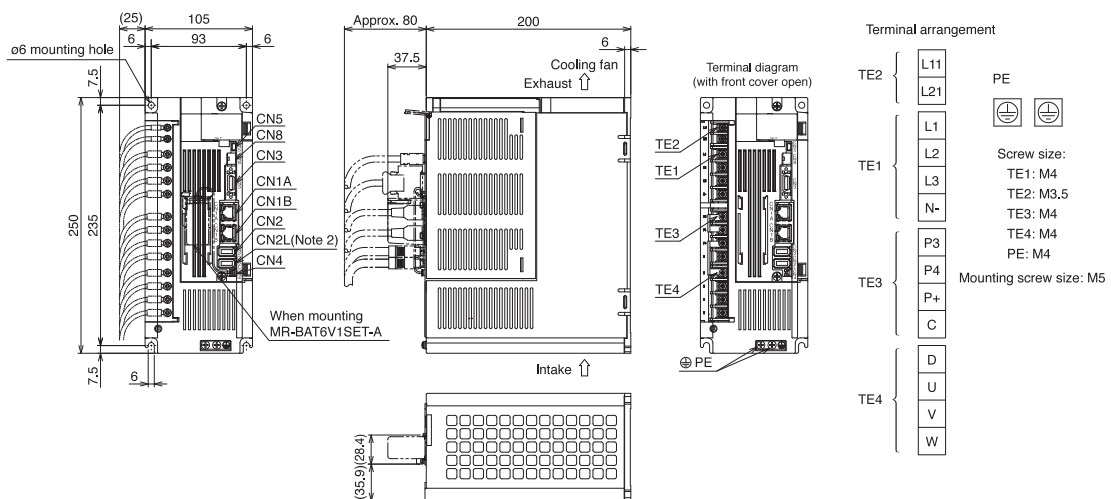
[Unit: mm]

●MR-J4-350GF4, MR-J4-350GF4-RJ



[Unit: mm]

●MR-J4-500GF, MR-J4-500GF-RJ



[Unit: mm]

Notes: 1. CNP1, CNP2 and CNP3 connectors (insertion type) are supplied with the servo amplifier.
2. CN2L, CN7, and CN9 connectors are not available for MR-J4-GF servo amplifier.